



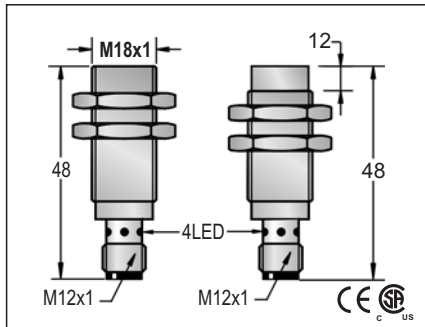


# M18、M30、Q20x32x10

## DC INDUCTIVE SHORT FORM PROXIMITY SWITCH CONNECTOR TYPE

DC INDUCTIVE SHORT FORM PROXIMITY SWITCH CONNECTOR TYPE

M 18	
●	○
5 mm	8 mm
stainless steel or nickel plated brass	
●	



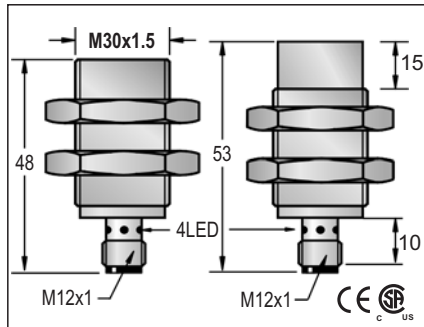
10-30VDC or 5-36VDC or 10-55VDC	
<10%	
<10mA	<20mA
200mA	
<0.01mA	
-	
-	
<1.5V or <1.0V or <2.0V	
1KHZ	500HZ
0.2ms/0.2ms	0.5ms/0.5ms
<15%(Sr)	
<1.0%(Sr)	
IP67	
-25 °C - +70 °C	
<10%(Sr)	
YES	
220mA	
<10ms	
RFI>3V/m / EFT>1KV / ESD>4KV (contact)	
IEC 60947-5-2, Part 7.4.1 / IEC 60947-5-2, Part 7.4.2	
PBT	

FCM1-1805N-ARS4	33	FCM2-1808N-ARS4
FCM1-1805N-BRS4	34	FCM2-1808N-BRS4
FCM1-1805P-ARS4	35	FCM2-1808P-ARS4
FCM1-1805P-BRS4	36	FCM2-1808P-BRS4
FCM1-1805P-SRS4	38	FCM2-1808P-SRS4
FCM1-1805N-SRS4	37	FCM2-1808N-SRS4
FCM1-1805C-ARS4	40	FCM2-1808C-ARS4
FCM1-1805C-BRS4	78	FCM2-1808C-BRS4
HCM1-1805N-ARS4	33	HCM2-1808N-ARS4
HCM1-1805N-BRS4	34	HCM2-1808N-BRS4
HCM1-1805P-ARS4	35	HCM2-1808P-ARS4
HCM1-1805P-BRS4	36	HCM2-1808P-BRS4
ICM1-1805N-ARS4	33	ICM2-1808N-ARS4
ICM1-1805N-BRS4	34	ICM2-1808N-BRS4
ICM1-1805P-ARS4	35	ICM2-1808P-ARS4
ICM1-1805P-BRS4	36	ICM2-1808P-BRS4
ICM1-1805P-SRS4	38	ICM2-1808P-SRS4
ICM1-1805N-SRS4	37	ICM2-1808N-SRS4

1. Voltage Drop: <1.5V(10-30V), <1V(5-36V), <2V(10-55V).
2. 10-55V type: No Load Current < 20mA.

Approx.50 g

M 30	
●	○
10 mm	15 mm
stainless steel or nickel plated brass	
●	



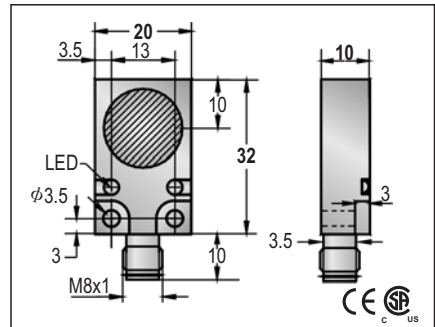
10-30VDC or 5-36VDC or 10-55VDC	
<10%	
<10mA	<20mA
200mA	
<0.01mA	
-	
-	
<1.5V or <1.0V or <2.0V	
300HZ	150HZ
0.5ms/0.5ms	1ms/1ms
<15%(Sr)	
<1.0%(Sr)	
IP67	
-25 °C - +70 °C	
<10%(Sr)	
YES	
220mA	
<10ms	
RFI>3V/m / EFT>1KV / ESD>4KV (contact)	
IEC 60947-5-2, Part 7.4.1 / IEC 60947-5-2, Part 7.4.2	
PBT	

FCM1-3010N-ARS4	33	FCM2-3015N-ARS4
FCM1-3010N-BRS4	34	FCM2-3015N-BRS4
FCM1-3010P-ARS4	35	FCM2-3015P-ARS4
FCM1-3010P-BRS4	36	FCM2-3015P-BRS4
FCM1-3010P-SRS4	38	FCM2-3015P-SRS4
FCM1-3010N-SRS4	37	FCM2-3015N-SRS4
FCM1-3010C-ARS4	40	FCM2-3015C-ARS4
FCM1-3010C-BRS4	78	FCM2-3015C-BRS4
HCM1-3010N-ARS4	33	HCM2-3015N-ARS4
HCM1-3010N-BRS4	34	HCM2-3015N-BRS4
HCM1-3010P-ARS4	35	HCM2-3015P-ARS4
HCM1-3010P-BRS4	36	HCM2-3015P-BRS4
ICM1-3010N-ARS4	33	ICM2-3015N-ARS4
ICM1-3010N-BRS4	34	ICM2-3015N-BRS4
ICM1-3010P-ARS4	35	ICM2-3015P-ARS4
ICM1-3010P-BRS4	36	ICM2-3015P-BRS4
ICM1-3010P-SRS4	38	ICM2-3015P-SRS4
ICM1-3010N-SRS4	37	ICM2-3015N-SRS4

Please see Page 18 for details and specifications of DC 2-Wire models on this page.

Approx.111 g      Approx.121 g

20X32X10	
●	○
5 mm	
die-cast	
●	



10-30VDC or 5-36VDC or 10-55VDC	
<10%	
<10mA	<20mA
200mA	
<0.01mA	
-	
-	
<1.5V or <1.0V or <2.0V	
1KHZ	
0.2ms/0.2ms	
<15%(Sr)	
<1.0%(Sr)	
IP67	
-25 °C - +70 °C	
<10%(Sr)	
YES	
220mA	
<10ms	
RFI>3V/m / EFT>1KV / ESD>4KV (contact)	
IEC 60947-5-2, Part 7.4.1 / IEC 60947-5-2, Part 7.4.2	
PBT	

FQM1-2005N-ACU3T	29
FQM1-2005N-BCU3T	29
FQM1-2005P-ACU3T	30
FQM1-2005P-BCU3T	30
FQM1-2005P-SCU4T	32
FQM1-2005N-SCU4T	31
FQM1-2005C-ACU3T	39
FQM1-2005C-BCU3T	77
HQM1-2005N-ACU3T	29
HQM1-2005N-BCU3T	29
HQM1-2005P-ACU3T	30
HQM1-2005P-BCU3T	30
IQM1-2005N-ACU3T	29
IQM1-2005N-BCU3T	29
IQM1-2005P-ACU3T	30
IQM1-2005P-BCU3T	30
IQM1-2005P-SCU4T	32
IQM1-2005N-SCU4T	31

Approx.55 g

**Note:**  
Coming Soon : Part numbers with underline